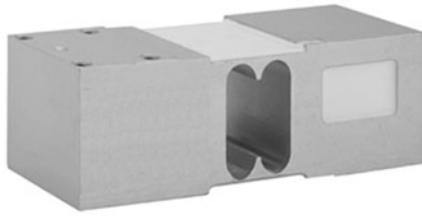


# Model 1260

Vishay TedeA-Huntleigh



## Aluminum High Capacity Single Point Load Cell



### FEATURES

- Capacities 50 - 660kg
- Aluminum construction
- Single point 600 x 600mm platform
- OIML R60 and NTEP approved
- IP66 protection
- Available with metric and UNC threads

### OPTIONAL FEATURES

- EEx ia IIC T4 hazardous area approval
- FM approval available

### DESCRIPTION

Model 1260 is a high performance, high capacity single point load cell designed for direct mounting of large platforms.

The rugged construction offers high immunity to side forces making it suitable for a wide range of weighing applications, including bench scales and check weighing.

A special humidity resistant protective coating assures long term stability over the entire compensated temperature range.

For hazardous environments this load cell has an EEx ia IIC T4 level of approval.

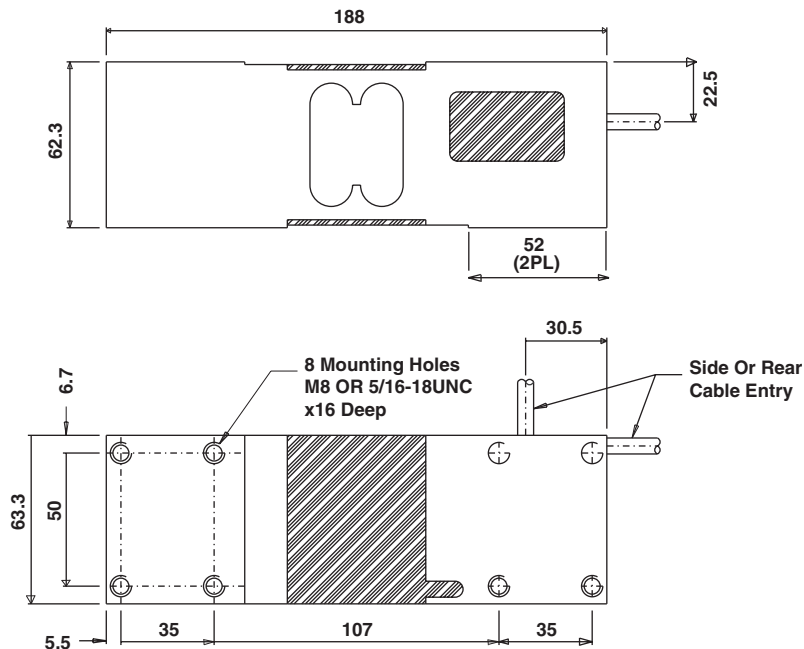
The two additional sense wires feed back the voltage reaching the load cell. Complete compensation of changes in lead resistance due to temperature change and/or cable extension, is achieved by feeding this voltage into appropriate electronics.

### APPLICATIONS

- Large platform scales
- Hanging scales
- Check weighing

### OUTLINE DIMENSIONS in millimeters

Outline Dimensions All Capacities in mm.





**SPECIFICATIONS**

PARAMETER	VALUE			UNIT
Rated capacity-R.C. ( $E_{max}$ )	50, 75, 100, 150, 250, 300, 500, 635, 660			kg
NTEP/OIML Accuracy class	<b>NTEP</b>	<b>Non-Approved</b>	<b>C3*</b>	
Maximum no. of intervals (n)	5000 single	1000	3000	
$Y = E_{max}/V_{min}$	1000	3333	15000	Maximum available
Rated output-R.O.	2.0			mV/V
Rated output tolerance	0.2			±mV/V
Zero balance	0.2			+mV/V
Zero Return, 30 min.	0.0330	0.0300	0.0170	±% of applied load
Total Error	0.0350	0.0500	0.0200	±% of rated output
Temperature effect on zero	0.0028	0.0100	0.0023	±% of rated output/°C
Temperature effect on output	0.0011	0.0030	0.0010	±% of applied load/°C
Eccentric loading error	0.0020	0.0050	0.0033	±% of rated load/cm
Temperature range, compensated	-10 to +40			°C
Temperature range, safe	-20 to +70			°C
Maximum safe central overload	150			% of R.C.
Ultimate central overload	300			% of R.C.
Excitation, recommended	10			Vdc or Vac rms
Excitation, maximum	15			Vdc or Vac rms
Input impedance	415±15			Ohms
Output impedance	350±3			Ohms
Insulation resistance	>2000			Mega-Ohms
Cable length	3			m
Cable type	6 wire, braided, Polyurethane, dual floating screen			Standard
Construction	Plated (Anodized) aluminum			
Environmental protection	IP66			
Platform size (max)	600 x 600			mm
Recommended torque	16.0			N*m

\* 50% utilization

**Wiring Schematic Diagram**  
(Balanced temperature compensation)

