

## VLC-138

### SINGLE POINT LOAD CELL

#### APPLICATIONS

Single Point  
platform scale

Belt Conveyor

Bench scales

Checkweighing

Hopper scales



#### STANDARD CAPACITY

50kg, 100kg, 150kg, 300, 500kg  
1000kg, 1200kg

#### WIRING

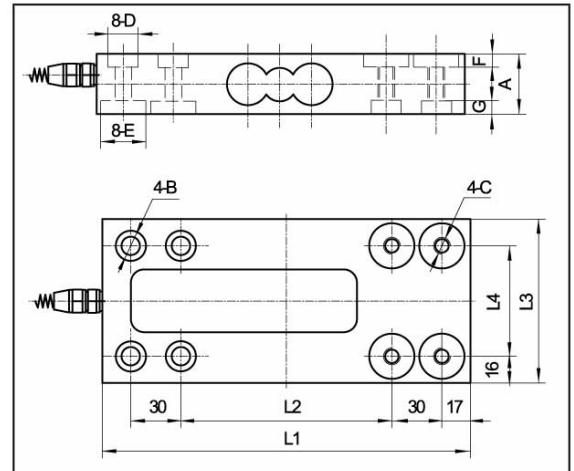
RED	Input (+)
BLACK	Input (-)
GREEN	Output (+)
WHITE	Output (-)

#### RECOMMENDED MAX. PLATFORM SIZE

600mm x 800mm (50 ~ 500kg)  
800mm x 1000mm (1000 ~ 1200kg)

#### SPECIFICATIONS

Rated output	2mV/V $\pm$ 10%
Non-linearity	0.03% F.S.
Hysteresis	0.03% F.S.
Non-repeatability	0.02% F.S.
Creep (in 1 hr)	0.03% F.S.
Zero Balance	$\pm$ 1%
Temp. effect span	15 PPM / $^{\circ}$ C
Temp. effect zero	26 PPM / $^{\circ}$ C
Operating Temp. range	-20 $^{\circ}$ C ~ +60 $^{\circ}$ C
Compensated Temp. range	-10 $^{\circ}$ C ~ +40 $^{\circ}$ C
Input resistance	400 $\pm$ 15 $\Omega$
Output resistance	350 $\pm$ 3 $\Omega$
Safe overload	150% F.S.
Ultimate overload	300% F.S.
Excitation voltage	10VDC/AC
Max. Excitation voltage	15VDC/AC
Insulation resistance	$\geq$ 2000M $\Omega$
Environmental protection	IP67
Material	Aluminum
Cable Length	20FT



#### DIMENSION

	(mm)										
Capacity (kg)	A	B	C	D	E	F	G	L1	L2	L3	L4
50 – 100kg	25	$\varnothing$ 9	M18	$\varnothing$ 18	$\varnothing$ 18	8	8	200	110	80	56
150kg	27	$\varnothing$ 11	M10	$\varnothing$ 18	$\varnothing$ 27	8	8	220	126	98	66
300kg	31	$\varnothing$ 11	M10	$\varnothing$ 18	$\varnothing$ 27	8	8	220	126	98	66
500kg	36	$\varnothing$ 11	M10	$\varnothing$ 18	$\varnothing$ 27	8	8	220	126	98	66
1000 – 1200kg	47	$\varnothing$ 13	M12	$\varnothing$ 22	$\varnothing$ 27	10	10	220	126	98	66

\* Specifications are subject to change without prior notice