

FAIRBANKS®

2500 ANALOG SERIES INSTRUMENTS



Fairbanks' 2500 Analog Series Instruments offer the added benefit of flash memory capabilities through Winlogix® 2002 programming software. (See specifications on back page.)

VERSATILE AND EASY-TO-USE

Designed with operator ease in mind, the 2500 Analog Series makes weighing a very simple operation with limited key-strokes and an easy-to-read display. Selectable operation modes of in/out weighing or gross-tare-net weighing, with or without store tare function, stored product or customer information, allow the 2500 Analog Series Instruments to be configured to meet your exact application needs. The large, backlit graphic display provides the operator simple, easy-to-understand information, so operation is always easy. These instruments are available in several different versions: standard desktop; stainless steel, NEMA 4X wall mount, panel mount and rack mount enclosures.

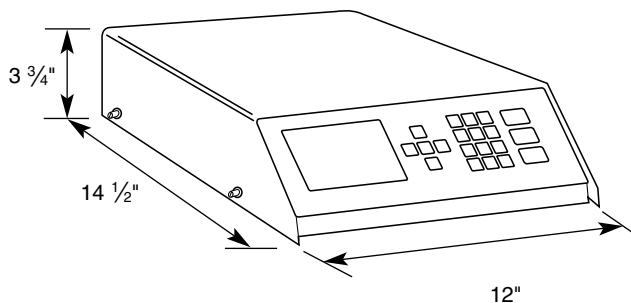
MULTIPLE APPLICATION CAPABILITIES

Fairbanks' 2500 Analog Series instruments allow you to operate a single instrument for all your applications, while you enjoy the added capability of flash memory technology. A single model can be used in a variety of applications by simply "flashing" in a new application. Some of the applications available include predictive cutoff, networking configurations, full length and short platform axlematic configurations. A flash

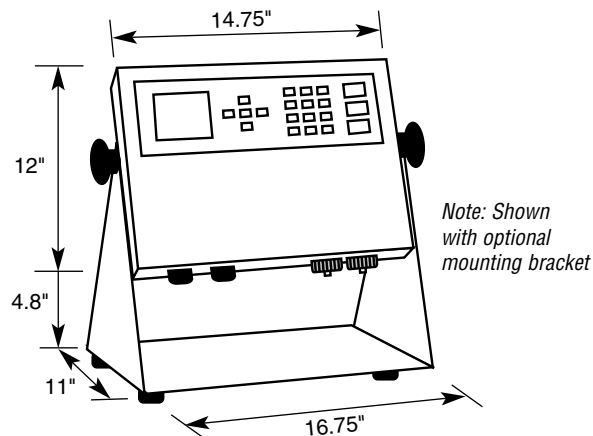
application library is available on some models. It's that versatile! As your needs change, so can your instrument without making any hardware changes on your existing system.

DIMENSIONS:

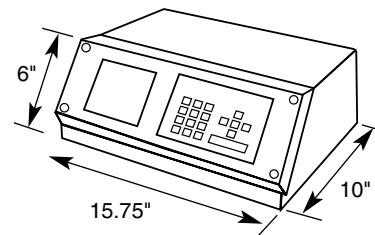
2500 Analog Series Desktop Model



2500 Analog Series
Wall Mount Model



NEMA 4X Desktop Model



QuickFacts™

Models and specifications subject to change without notice.
© Fairbanks Scales Inc. Printed in the USA on recycled paper.
www.Fairbanks.com

Call toll-free for the Fairbanks representative nearest you:
(800) 451-4107

2500 ANALOG SERIES INSTRUMENTS

WINLOGIX® 2002 SOFTWARE

Each 2500 Analog Series indicator is shipped ready to receive a “flashed” application as soon as it leaves the factory. Designed specifically for all 2500 Series instruments, Fairbanks’ exclusive Winlogix® 2002 software allows the operator to configure and program the instrument from a computer. Winlogix® 2002 software is a Windows®-based program that’s easy to use. With the program in place, just open an application file, “flash” it into the 2500 and you’re ready to go.

TRANSACTION DOWNLOADING

Through the 2500 Series indicators with Winlogix® 2002 software, you are able to access your daily transactions via

the modem or the direct serial connection. Simply upload the transactions from the instrument and import them into almost any spreadsheet.

FLEXIBLE INTERFACING

Some models in the 2500 Analog Series are compatible with a PLC interface. From one instrument, you have the ability to choose from four of the leading fieldbuses, including Profibus®, ControlNet®, DeviceNet®, EtherNet® and Modbus® Plus.

SPECIFICATIONS FOR THE INSTRUMENTS

Model Numbers	2500-AF1 desktop; 2500-AF1 NEMA 4X wall mount; 2500-AF2 desktop; 2500-AF2 NEMA 4X wall mount;
Display	3.06" x 3.72" LCD, LED backlit graphics
Displayed Characters	0.5"
Display Resolution	10,000 divisions commercial; 20,000 divisions for non-commercial
Capacity	Programmable to 999,999
Displayed Units	16 programmable options
Calibration & Configuration	Parameters can be downloaded or uploaded from a computer for long-term storage and diagnostics
Humidity	0 to 95%; NEMA 4X enclosure = 100%
Enclosure	Stainless steel (NEMA 4X rated enclosure available)
Power Requirements	100 to 130 VAC or 200 to 260 VAC; 50/60 Hz; 1 amp max. at 115 VAC
Accuracy	Class III/IIIL
Memory	64K (AF1 models only); 320K (AF2 models only)
Product Files	50 (AF1 models only); 100 (AF2 models only)
Field Names	Seven (7) field names, <u>one</u> (1) traceable in transaction record (AF1) models only Seven (7) field names, <u>all</u> traceable in transaction record (AF2) models only
Mail ID	200 stored customer files each with four lines of data, up to 31 characters per line (AF2 models only)
Stored Tares	100 (AF1 models only); 200 (AF2 models only)
Transaction Records	900 (AF1 models only); 1600 (AF2 models only)
Reports	Two transaction reports are customer programmable to generate any or all portions of a transaction record in a prioritized order

Keyboard	Oversized keypad, nine function keys 0-9 and decimal point
Clock	Real time clock, day of the week, 12-hour am/pm, month/day/year date
Modem Service	Hayes compatible modems from 300-19,200 baud
Number of cells	Maximum of 10-350 ohm or 16-1,000 ohm cells
Serial Inputs/Outputs for All Models	COM 2 = Full 9-pin (modem compatible) RS232C; COM 3 = RS232C (4-wire); Dedicated 20mA optically isolated remote display interface
Serial Inputs/Outputs for AF2 Models Only	COM 4 = Full 9-pin (modem compatible) RS232C; COM 5 = RS232C (4-wire) or RS485; Smart analog output 4-20mA
Peripheral Devices	Ticket printer; Tape printer; Form printer; Remote display
Accessories	Modem and registration; 105-key PC compatible keyboard for alphanumeric character entry; Relay cutoff box and cable; Relay accessory box for traffic lights; PLC interface cards
Approvals	NTEP COC #95-044; Canadian Weights and Measures #5161

SPECIFICATIONS FOR WINLOGIX® 2002 SOFTWARE

System Requirements	Windows® '95, '98, ME, XP; Pentium® 100 processor; 40 MB of hard drive space; 32 MB RAM; CD ROM; SVGA 800 x 600
-------------------------------	---